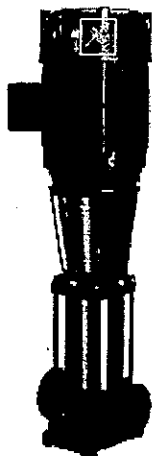




Submittal Data

3500 RPM

60 Hertz

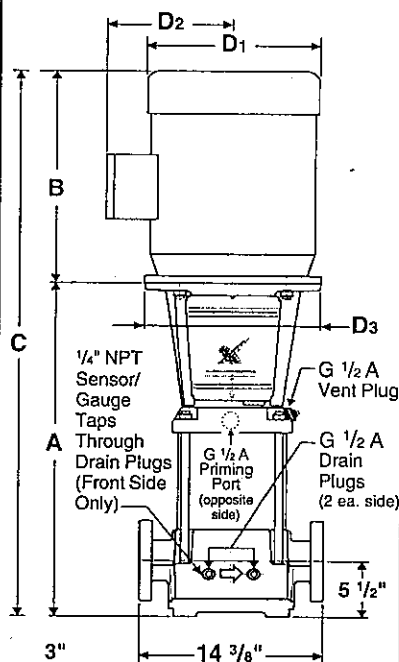


JOB or CUSTOMER:							
ENGINEER:							
CONTRACTOR:							
SUBMITTED BY:				DATE:			
APPROVED BY:				DATE:			
ORDER NO:				DATE:			
SPECIFICATION REF:							
QTY.	TAG NO.	MODEL NO.	GPM	FEET	VOLT	PH	COMMENTS

Type Designation

CR - 45 - 3 - 2
 Pump Type
 Nominal Flow Rate (m³/hr)
 Number of Stages
 Number of Reduced Diameter Impellers

Pump Dimensions



Suction & Discharge

Optional Thrust Bearing Flange:
 For use of pump with standard motor.

Models ≤10 HP, add 22mm (7/8") to pump height.

Models >10 HP, add 17mm (11/16") to pump height.

Cool Top™ (High Temp.):

Special Chamber for cooling of shaft seal. Add 240mm (9 1/2") to pump end height ("A" dimension).

Pump Type	HP	PH	Volts	Dimensions in Inches										
				ODP						TEFC				
				A	B	C	D ₁	D ₂	D ₃	B	C	D ₁	D ₂	D ₃
CR45-1-1	7 1/2	1	208-230	22	15 1/4	37 1/4	10 3/8	7 3/8	11 3/4	15 7/8	37 7/8	10 1/8	10 1/4	11 3/4
			208-230/460	22	14 3/8	36 3/8	8 1/2	5 7/8	11 3/4	15 7/8	37 7/8	8 1/2	6 3/8	11 3/4
			575	22	14 3/8	36 3/8	8 1/2	5 7/8	11 3/4	15 7/8	37 7/8	8 1/2	6	11 3/4
CR45-1	7 1/2	1	208-230	22	15 1/4	37 1/4	10 3/8	7 3/8	11 3/4	15 7/8	37 7/8	10 1/8	10 1/4	11 3/4
			208-230/460	22	14 3/8	36 3/8	8 1/2	5 7/8	11 3/4	15 7/8	37 7/8	8 1/2	6 3/8	11 3/4
			575	22	14 3/8	36 3/8	8 1/2	5 7/8	11 3/4	15 7/8	37 7/8	8 1/2	6	11 3/4
CR45-2-2	15	3	208-230/460	29 1/2	16	45 1/2	10 5/8	7 3/8	12 5/8	16 5/8	46 1/8	10 3/8	8 3/4	12 5/8
			575	29 1/2	17 1/4	46 3/4	10 5/8	7 3/8	12 5/8	16 5/8	46 1/8	10 3/8	8 3/4	12 5/8
CR45-2-1	15	3	208-230/460	29 1/2	16	45 1/2	10 5/8	7 3/8	12 5/8	16 5/8	46 1/8	10 3/8	8 3/4	12 5/8
			575	29 1/2	17 1/4	46 3/4	10 5/8	7 3/8	12 5/8	16 5/8	46 1/8	10 3/8	8 3/4	12 5/8
CR45-2	15	3	208-230/460	29 1/2	16	45 1/2	10 5/8	7 3/8	12 5/8	16 5/8	46 1/8	10 3/8	8 3/4	12 5/8
			575	29 1/2	17 1/4	46 3/4	10 5/8	7 3/8	12 5/8	16 5/8	46 1/8	10 3/8	8 3/4	12 5/8
CR45-3-2	20	3	208-230/460	32 5/8	18	50 5/8	11 1/2	8 7/8	12 5/8	16 3/8	49	12 7/8	8 5/8	12 5/8
			575	32 5/8	20 7/8	53 1/2	11 5/8	9	12 5/8	19 3/4	52 3/8	12 7/8	9 1/2	12 5/8
CR45-3-1	25	3	208-230/460	32 5/8	20 7/8	53 1/2	11 5/8	9	12 5/8	19 3/4	52 3/8	12 7/8	9 1/2	12 5/8
			575	32 5/8	20 7/8	53 1/2	11 5/8	9	12 5/8	19 3/4	52 3/8	11 5/8	9 1/2	12 5/8
CR45-3	25	3	208-230/460	32 5/8	20 7/8	53 1/2	11 5/8	9	12 5/8	19 3/4	52 3/8	12 7/8	9 1/2	12 5/8
			575	32 5/8	20 7/8	53 1/2	11 5/8	9	12 5/8	19 3/4	52 3/8	11 5/8	9 1/2	12 5/8
CR45-4-2	30	3	230/460	35 3/4	19 3/4	55 1/2	12 1/2	9	12 5/8	23	58 3/4	15 1/2	13 1/8	12 5/8
			575	35 3/4	20 7/8	56 5/8	11 5/8	9	12 5/8	23	58 3/4	15 3/8	13 1/8	12 5/8
CR45-4-1	30	3	230/460	35 3/4	19 3/4	55 1/2	12 1/2	9	12 5/8	23	58 3/4	15 1/2	13 1/8	12 5/8
			575	35 3/4	20 7/8	56 5/8	11 5/8	9	12 5/8	23	58 3/4	15 3/8	13 1/8	12 5/8
CR45-4	30	3	230/460	35 3/4	19 3/4	55 1/2	12 1/2	9	12 5/8	23	58 3/4	15 1/2	13 1/8	12 5/8
			575	35 3/4	20 7/8	56 5/8	11 5/8	9	12 5/8	23	58 3/4	15 3/8	13 1/8	12 5/8
CR45-5-2	40	3	230/460	38 7/8	21 3/8	60 1/4	13 1/4	12 1/4	12 5/8	23	61 7/8	15 1/2	13 1/8	12 5/8
			575	38 7/8	23 3/8	62 1/4	13 1/4	12 3/8	12 5/8	27 1/2	66 3/8	16 7/8	14 1/8	13 3/4
CR45-5-1	40	3	230/460	38 7/8	21 3/8	60 1/4	13 1/4	12 1/4	12 5/8	23	61 7/8	15 1/2	13 1/8	12 5/8
			575	38 7/8	23 3/8	62 1/4	13 1/4	12 3/8	12 5/8	27 1/2	66 3/8	16 7/8	14 1/8	13 3/4
CR45-5	40	3	230/460	38 7/8	21 3/8	60 1/4	13 1/4	12 1/4	12 5/8	23	61 7/8	15 1/2	13 1/8	12 5/8
			575	38 7/8	23 3/8	62 1/4	13 1/4	12 3/8	12 5/8	27 1/2	66 3/8	16 7/8	14 1/8	13 3/4
CR45-6-2	50	3	230/460	42	24	66	13 1/4	12 1/4	13 3/4	27 1/2	69 1/2	17 3/8	14 1/8	13 3/4
			575	42	23 1/2	65 1/2	15 1/8	13 1/4	13 3/4	27 1/2	69 1/2	17 3/8	14 5/8	13 3/4
CR45-6	50	3	230/460	42	24	66	13 1/4	12 1/4	13 3/4	27 1/2	69 1/2	17 3/8	14 1/8	13 3/4
			575	42	23 1/2	65 1/2	15 1/8	13 1/4	13 3/4	27 1/2	69 1/2	17 3/8	14 5/8	13 3/4
CR45-7-2	50	3	230/460	45 1/4	24	69 1/4	13 1/4	12 1/4	13 3/4	27 1/2	72 3/4	17 3/8	14 1/8	13 3/4
			575	45 1/4	23 1/2	68 3/4	15 1/8	13 1/4	13 3/4	27 1/2	72 3/4	17 3/8	14 5/8	13 3/4
CR45-8-1	60	3	230/460	48 3/8	23 1/2	71 7/8	15 1/4	13 1/4	13 3/4	30 1/2	78 7/8	19 1/4	14 7/8	13 3/4
			575	48 3/8	23 1/2	71 7/8	15 1/4	13 1/4	13 3/4	30 1/2	78 7/8	19 1/4	14 7/8	13 3/4